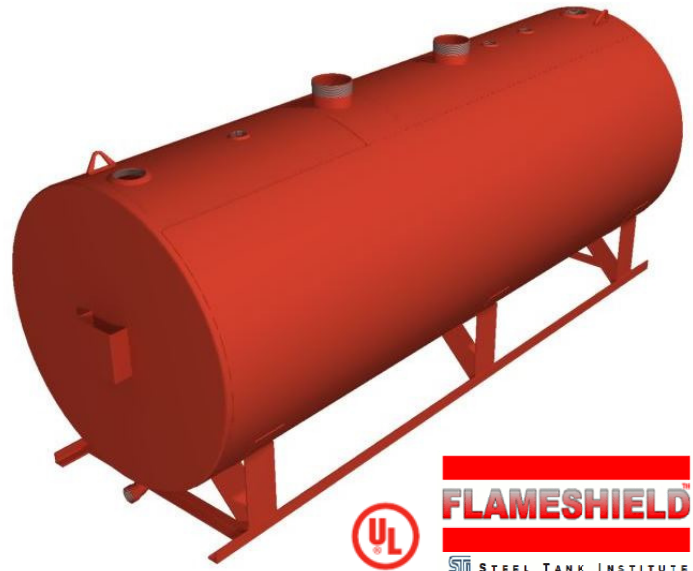


1,000 GALLON 300° DOUBLE WALL FLAMESHIELD® SKID TANK

Item ID: TK-H-AG-DW-FS-300-1000

- ◆ 2-HOUR 2000° fire test, as required by Southwest Research Institute Standard SwRI 97-04, validates performance of non-insulated tanks
- ◆ Double-wall design offers integral secondary containment which can be tested for tightness on site throughout tank life
- ◆ Interstitial space can be monitored for leak detection
- ◆ Support designs for all seismic zones
- ◆ Primary storage tank and secondary containment compatible with a wide range of fuels and chemicals
- ◆ Built to nationally recognized STI standards with strict third-party quality control inspection program
- ◆ Customized compartments can be provided for cost effective multi-product storage

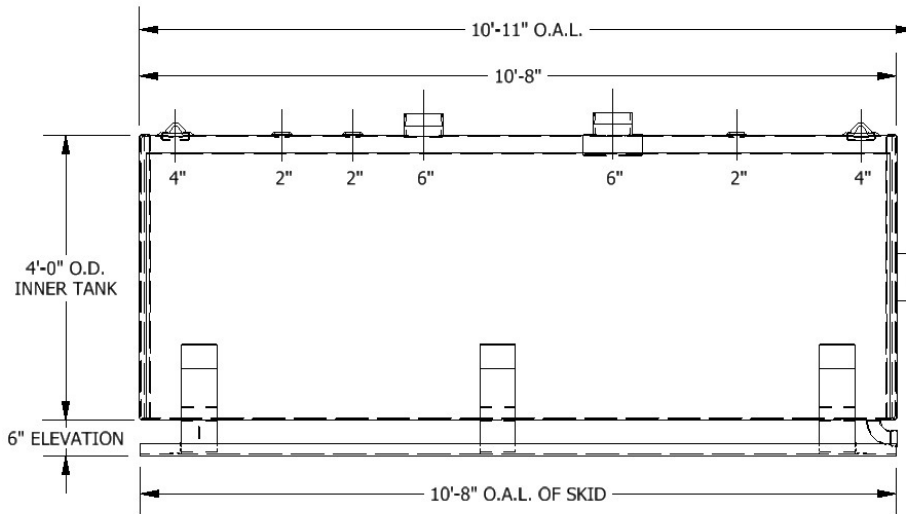


FLAMESHIELD®
STI STEEL TANK INSTITUTE

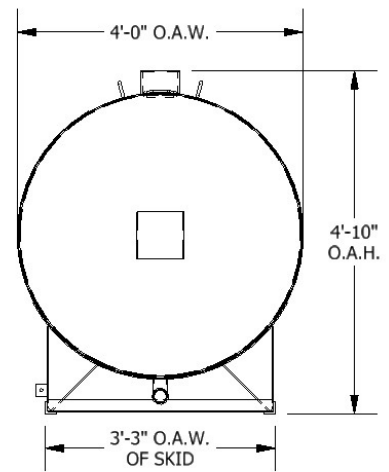
SPECIFICATIONS

Orientation:	Horizontal	Labeling:	U.L. 142; Flameshield
Shell Dimensions:	4'-0" x 10'-8"	Operating Pressure:	Atmospheric
Material:	Carbon Steel	Test Method:	Air Tested with Water and Soap Solution
Shell Thickness:	10 Gauge / 10 Gauge	Venting Capacity:	
Head Thickness:	10 Gauge / 10 Gauge	Inner:	126,800 cu. ft./hr.
Tank Support:	U.L. Approved Angle Skid Assembly	Outer:	126,800 cu. ft./hr.
Area Inside Tank:	134.04 cu. ft.	Interior Prep:	Remove Weld Slag & Vacuum
Weight Empty:	1,940 lbs.	Exterior Coating:	Blast & Apply One Coat Red Oxide Primer

HORIZONTAL ABOVE GROUND STORAGE TANKS



FRONT VIEW



RIGHT END VIEW

HAMILTON TANKS, LLC

2200 Refugee Road, Columbus, OH 43207

Ph: (800) 627-8265 Fx: (614) 445-7248

www.hamiltontanks.com

"Tanks a million!"