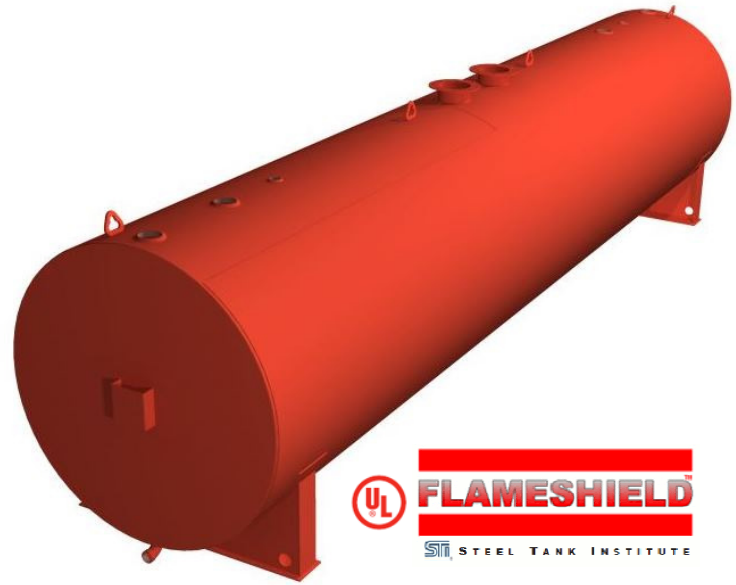


4,000 GALLON 300° DOUBLE WALL FLAMESHIELD® STORAGE TANK

Item ID: TK-H-AG-DW-FS-300-4000-64

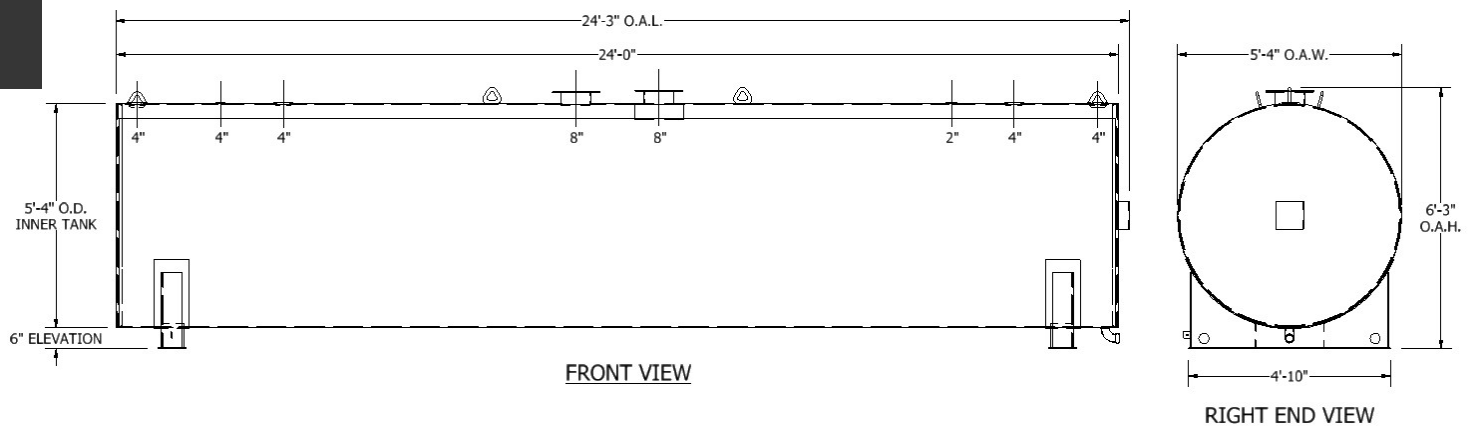
HORIZONTAL ABOVE GROUND STORAGE TANKS

- ◆ 2-HOUR 2000° fire test, as required by Southwest Research Institute Standard SwRI 97-04, validates performance of non-insulated tanks
- ◆ Double-wall design offers integral secondary containment which can be tested for tightness on site throughout tank life
- ◆ Interstitial space can be monitored for leak detection
- ◆ Support designs for all seismic zones
- ◆ Primary storage tank and secondary containment compatible with a wide range of fuels and chemicals
- ◆ Built to nationally recognized STI standards with strict third-party quality control inspection program
- ◆ Customized compartments can be provided for cost effective multi-product storage



SPECIFICATIONS

Orientation:	Horizontal	Labeling:	U.L. 142; Flameshield
Shell Dimensions:	5'-4" x 24'-0"	Operating Pressure:	Atmospheric
Material:	Carbon Steel	Test Method:	Air Tested with Water and Soap Solution
Shell Thickness:	7 Gauge / 10 Gauge	Venting Capacity:	
Head Thickness:	7 Gauge / 10 Gauge	Inner:	282,200 cu. ft./hr.
Tank Support:	IBC-2009/ASCE7-10 Approved Saddle Tank Support Assemblies	Outer:	282,200 cu. ft./hr.
Area Inside Tank:	536.17 cu. ft.	Interior Prep:	Remove Weld Slag & Vacuum
Weight Empty:	5,925 lbs.	Exterior Coating:	Blast & Apply One Coat Red Oxide Primer



HAMILTON TANKS, LLC

2200 Refugee Road, Columbus, OH 43207

Ph: (800) 627-8265 Fx: (614) 445-7248

www.hamiltontanks.com

"Tanks-a-million!"