

# 550 GALLON 300° DOUBLE WALL FLAMESHIELD® SKID TANK

Item ID: TK-H-AG-DW-FS-300-550

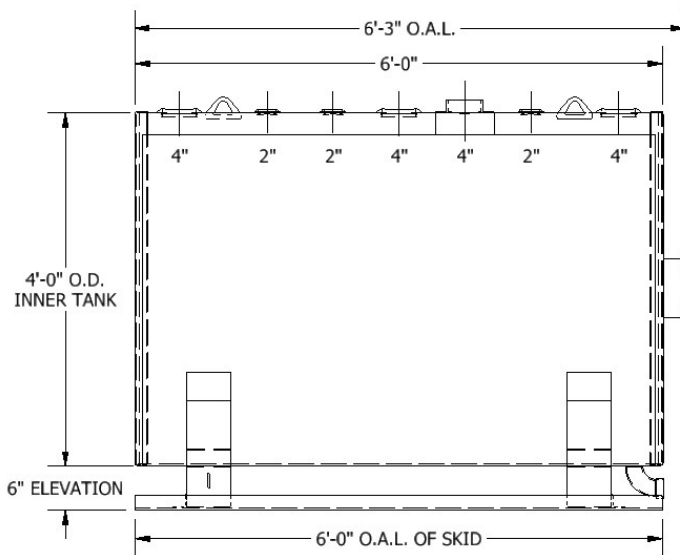
- ◆ 2-HOUR 2000° fire test, as required by Southwest Research Institute Standard SwRI 97-04, validates performance of non-insulated tanks
- ◆ Double-wall design offers integral secondary containment which can be tested for tightness on site throughout tank life
- ◆ Interstitial space can be monitored for leak detection
- ◆ Support designs for all seismic zones
- ◆ Primary storage tank and secondary containment compatible with a wide range of fuels and chemicals
- ◆ Built to nationally recognized STI standards with strict third-party quality control inspection program
- ◆ Customized compartments can be provided for cost effective multi-product storage



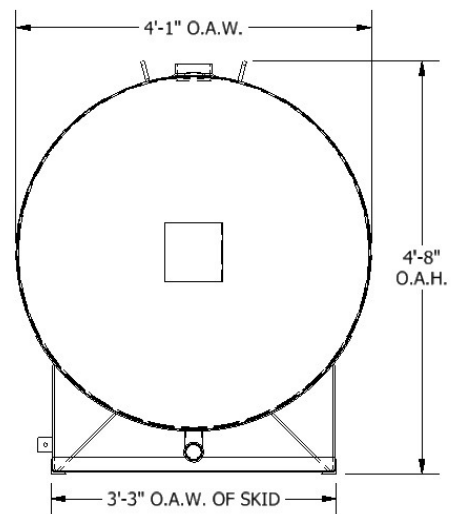
HORIZONTAL ABOVE GROUND STORAGE TANKS

## SPECIFICATIONS

<b>Orientation:</b>	Horizontal	<b>Labeling:</b>	U.L. 142; Flameshield
<b>Shell Dimensions:</b>	4'-0" x 6'-0"	<b>Operating Pressure:</b>	Atmospheric
<b>Material:</b>	Carbon Steel	<b>Test Method:</b>	Air Tested with Water and Soap Solution
<b>Shell Thickness:</b>	12 Gauge / 12 Gauge	<b>Venting Capacity:</b>	
<b>Head Thickness:</b>	12 Gauge / 12 Gauge	<b>Inner:</b>	80,300 cu. ft./hr.
<b>Tank Support:</b>	U.L. Approved Angle Skid Assembly	<b>Outer:</b>	80,300 cu. ft./hr.
<b>Area Inside Tank:</b>	75.40 cu. ft.	<b>Interior Prep:</b>	Remove Weld Slag & Vacuum
<b>Weight Empty:</b>	970 lbs.	<b>Exterior Coating:</b>	Blast & Apply One Coat Red Oxide Primer



FRONT VIEW



RIGHT END VIEW

### HAMILTON TANKS, LLC

2200 Refugee Road, Columbus, OH 43207

Ph: (800) 627-8265 Fx: (614) 445-7248

www.hamiltontanks.com

"Tanks-a-million!"