

2,000 GALLON SINGLE WALL U.L. SKID TANK

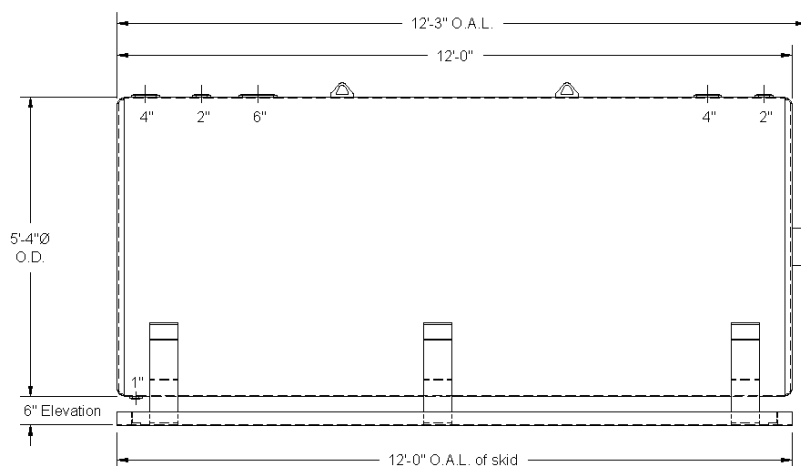
Item ID: TK-H-AG-SW-UL-2000

- All carbon steel construction for durable, safe, long-lasting liquid storage
- Constructed and air pressure tested for leaks in accordance with the UL-142 Standard for Steel Aboveground Tanks for Flammable and Combustible Liquids, Ninth Edition
- Support designs for all seismic zones
- Compatible with a wide range of fuels and chemicals
- Built with strict third-party quality control inspection program
- Customized compartments can be provided for cost effective multi-product storage
- Multiple finish coatings available

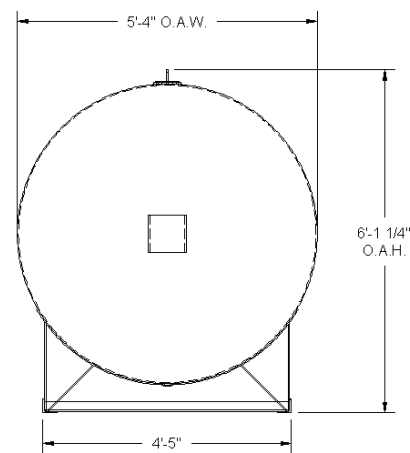


SPECIFICATIONS

| | | | |
|--------------------------|-----------------------------------|----------------------------|---|
| Orientation: | Horizontal | Weight Empty: | 1,911 lbs. |
| Shell Dimensions: | 5'-4" x 12'-0" | Labeling: | U.L. 142 |
| Material: | Carbon Steel | Operating Pressure: | Atmospheric |
| Shell Thickness: | 7 Gauge | Test Method: | Air Tested with Water and Soap Solution |
| Head Thickness: | 7 Gauge | Venting Capacity: | 195,300 cu. ft./hr |
| Tank Support: | U.L. Approved Angle Skid Assembly | Interior Prep: | Remove Weld Slag & Vacuum |
| Area Inside Tank: | 268.08 cu. ft. | Exterior Coating: | Sandblast & Apply One Coat Red Oxide Primer |



FRONT VIEW



RIGHT END VIEW