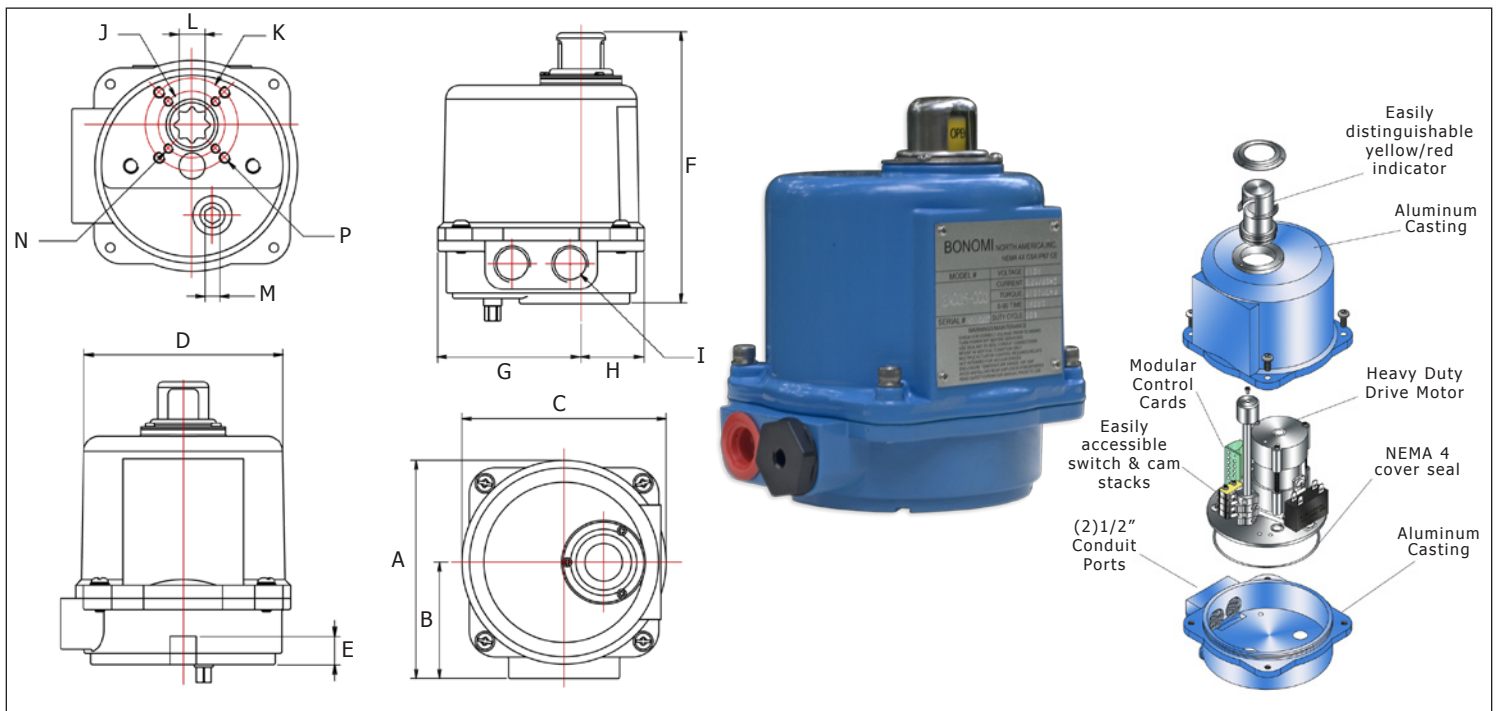


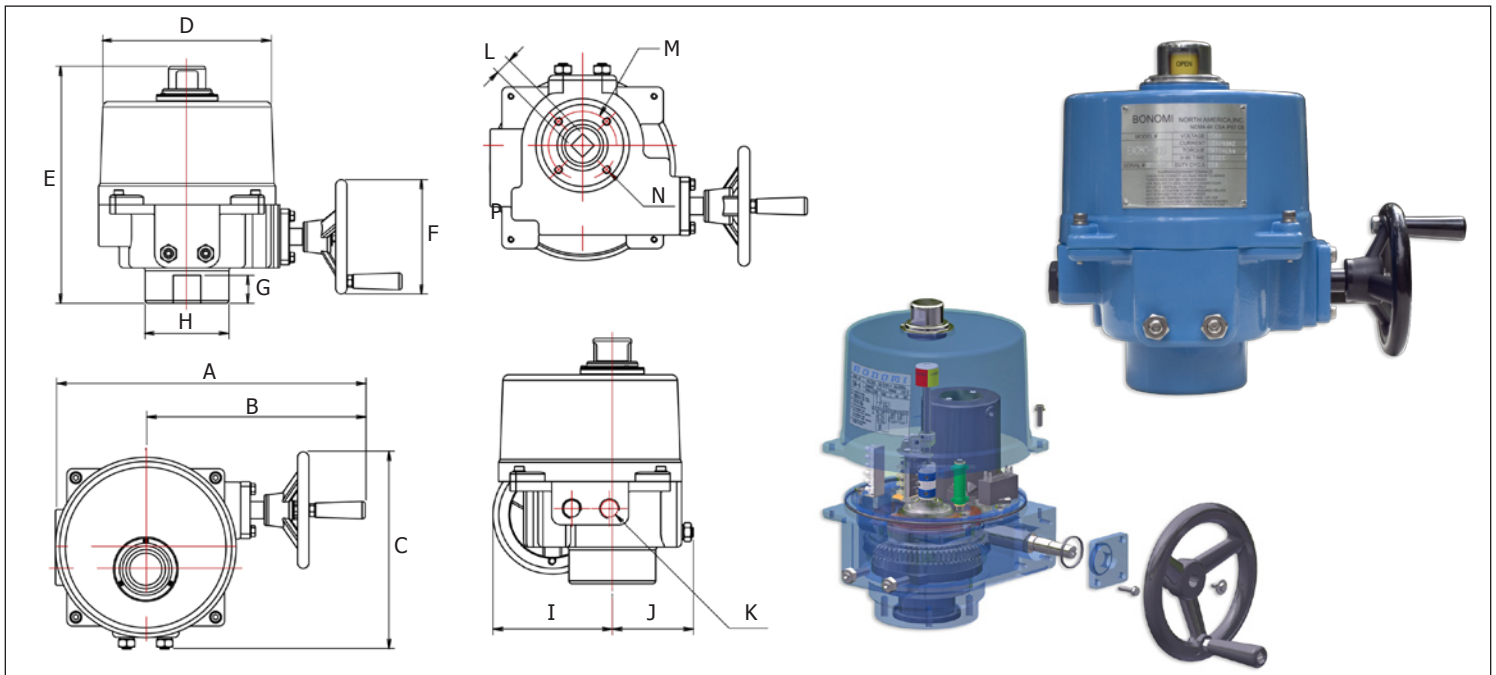
The Bonomi NA Electric Actuators, EA Series, are Suitable for the Automation of all Types of Quarter or Half-Turn Ball and Butterfly Valves, and Other Industrial Products Requiring the Following Standard Features:

- ISO 5211 Mounting Bolt Pattern and DIN 3337 Double Square Drive
- NEMA 4X IP67 Enclosure with 1/2" FNPT Conduit Connection
- Standard Extended Duty Motor with Built-In Thermal Protection in Torque Ranges of 310 to 4450 inLbs
- Highly Visible Dome Position Indicator
- Non-Clutchable, Electrically Isolated Manual Override
- Self-Locking Steel Gears to Prevent Backdrive
- Mechanical Stops on 0 to 90 Degree Actuation +/- 5 Degrees
- Thermostatically Controlled Heater for Working Conditions -30°C (-22°F) to 65°C (150°F) and 30% to 95% Relative Humidity
- Standard Dual Auxiliary Limit Switches 5A @ 250VAC, plus Dual Feedback Dry Contacts
- CE-CSA-RoHS-ISO9001 Approvals



Model No.	A	B	C	D	E	F	G	H	I	J	K	L	M	N	P	ISO 5211
EA035*	4.80	2.56	4.49	4.17	0.59	5.91	3.11	1.38	1/2 FNPT	1.42	1.97	0.55	0.32	M5x8	M6x10	F03/F05
EA045*	5.00	2.56	4.80	4.17	0.67	7.72	2.01	2.99	1/2 FNPT	1.97	2.76	0.67	0.32	M6x10	M8x12.5	F05/F07

* Lever Manual Override - No Mechanical Stops



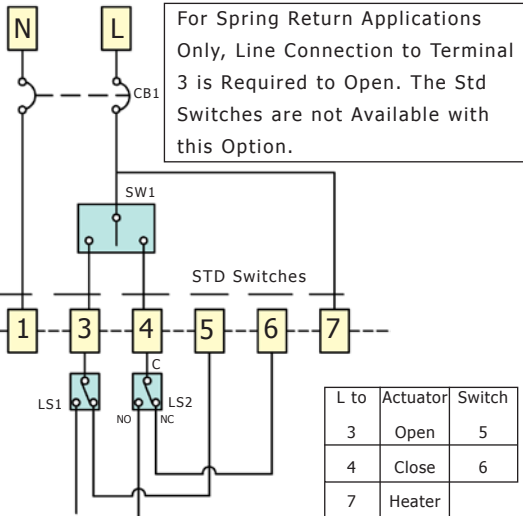
Model No.	A	B	C	D	E	F	G	H	I	J	K	L	M	N	Weight Lbs	ISO 5211
EA080	12.84	9.10	8.19	7.13	10.04	4.84	1.18	3.54	4.88	3.31	1/2 FNPT	0.87	2.76	M8x12.5	24.3	F07
EA130	12.84	9.10	8.19	7.13	10.04	4.84	1.18	3.54	4.88	3.31	1/2 FNPT	0.87	2.76	M8x12.5	24.3	F07
EA360	15.51	10.83	11.58	8.54	12.48	7.64	1.58	4.92	7.24	4.33	1/2 FNPT	1.42	4.02	M10x15	44.1	F10
EA450	15.51	10.83	11.58	8.54	12.48	7.64	1.58	4.92	7.24	4.33	1/2 FNPT	1.42	4.02	M10x15	44.1	F10

Model Item Numbers	Voltages (60 HZ)	Torque inLbs	Power (VA)	Current (A) Lock Rotor	Cycle On time (Sec)	Drive Sq (mm/in)	Drive Depth (mm/in)	Weight (Kg/Lbs)	ISO 5211	Duty Cycle
EA035	-002 24V AC/DC	310	10	1.6	15	14/0.55	15/0.59	2/4.4	F03/F05	30%
	-003 110VAC		10	0.7	12					
	-004 220VAC		10	0.4	12					
EA045	-002 24V AC/DC	445	10	1.6	20	17/0.67	16/0.63	3/6.6	F05/F07	
	-003 110VAC		10	0.7	20					
	-004 220VAC		10	0.5	20					
EA080	-002 24V AC/DC	800	40	14.5	15	22/0.87	30/1.18	11/24.3	F07	
	-003 110VAC		40	1.6	15					
	-004 220VAC		40	0.9	15					
EA130	-002 24V AC/DC	1330	40	14.5	22	22/0.87	30/1.18	11/24.3	F07	
	-003 110VAC		40	1.6	22					
	-004 220VAC		40	0.9	22					
EA360	-002 24V AC/DC	3550	80	30.0	16	36/1.42	40/1.58	20/44.1	F10	
	-003 110VAC		80	3.6	16					
	-004 220VAC		80	2.2	16					
EA450	-002 24V AC/DC	4450	80	30.0	22	36/1.42	40/1.58	20/44.1	F10	
	-003 110VAC		80	3.6	22					
	-004 220VAC		80	2.2	22					

Standard and Spring Return Electrical Diagrams

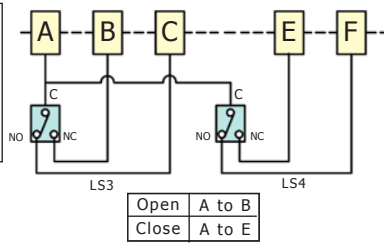
Wiring Diagram

110VAC 24V AC/DC

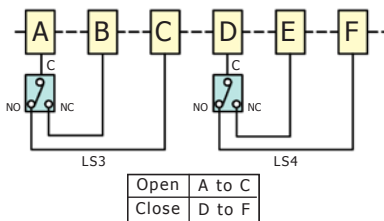


Auxiliary Switches

Models EA035 - EA045



Models EA080 - EA450



Standard Feedback Switches Will Pass the Line Voltage. Connections to Terminals 5, Opened, and 6, Closed, are Capable of 5 Amps of Current for Driving Lamps, Relays, and Small Inductive Loads. If the Line Voltage is the Same as the Input Voltage of a Controller, the Contacts, 5 and 6, Provide Digital Feedback.

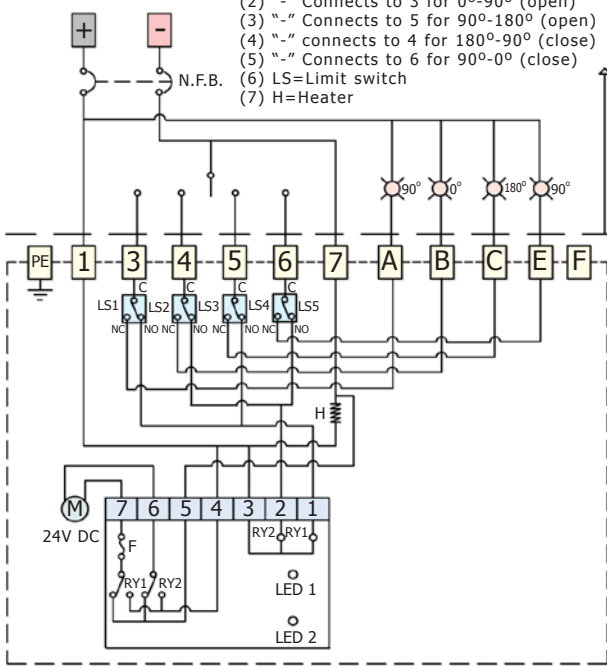
Auxiliary Feedback Switches are Dry Contacts for use with Any Load 5 Amps or Less at 24V AC/DC, 110VAC, or 220VAC. Adequate Circuit Protection is Required.

Optional 3-Position Wiring Diagrams

Power Supply
24V DC

Note:

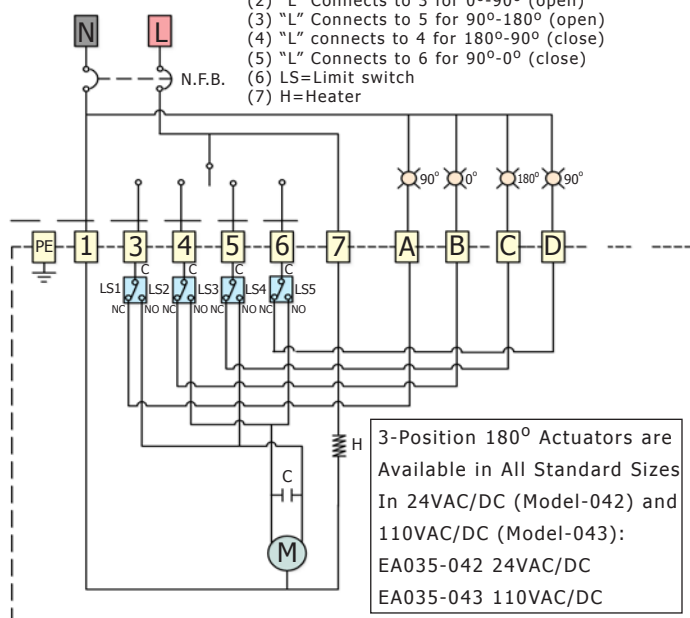
- (1) "+" Connects to 1, "L" Connects to 7
- (2) "-" Connects to 3 for 0°-90° (open)
- (3) "-" Connects to 5 for 90°-180° (open)
- (4) "-" connects to 4 for 180°-90° (close)
- (5) "-" Connects to 6 for 90°-0° (close)
- (6) LS=Limit switch
- (7) H=Heater



Power Supply
110V

Note:

- (1) "N" Connects to 1
- (2) "L" Connects to 3 for 0°-90° (open)
- (3) "L" Connects to 5 for 90°-180° (open)
- (4) "L" connects to 4 for 180°-90° (close)
- (5) "L" Connects to 6 for 90°-0° (close)
- (6) LS=Limit switch
- (7) H=Heater



Optional Spring Return Models

EA045-052	24VAC/DC	445 inLbs
EA045-053	110VAC	
EA120-052	24VAC/DC	1150 inLbs
EA120-053	110VAC	
EA180-052	24VAC/DC	1775 inLbs
EA180-053	110VAC	
EA230-052	24VAC/DC	2300 inLbs
EA230-053	110VAC	

Standard Actuator Features Plus 50% Duty Cycle, Buffered Manual Override for Safety, and Fail-Safe Operation. Use Standard Wiring Diagram with Only One Line Connection to Terminal 3 to Open. Reverse Operation, and Other Options are Available Upon Request.